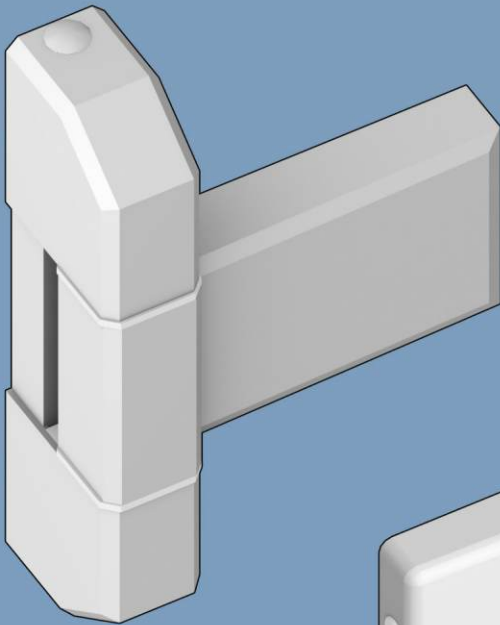


elram

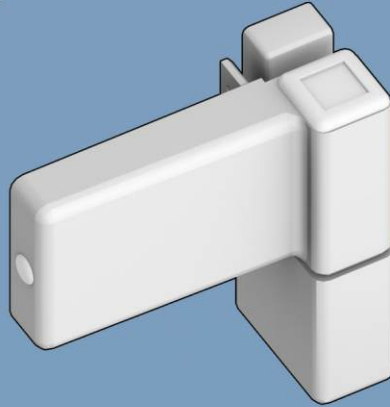
Window and Door Engineering

KOMPAKT 3D

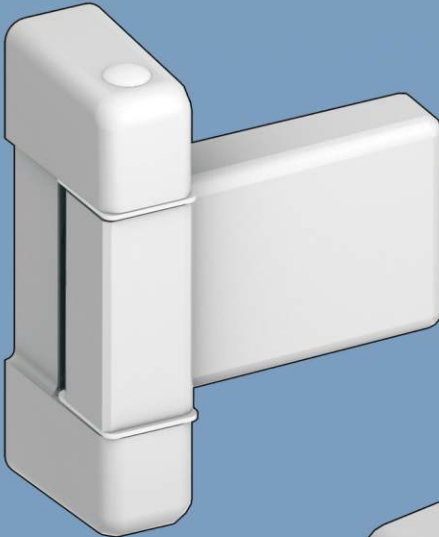
A solid door hinge without protective caps for in and outwards opening PVC-entrance doors



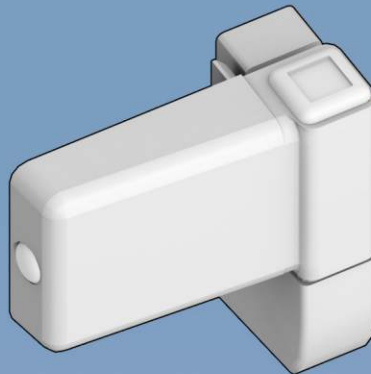
EXCLUSIV



BRILLANT



IDEAL



GARANT

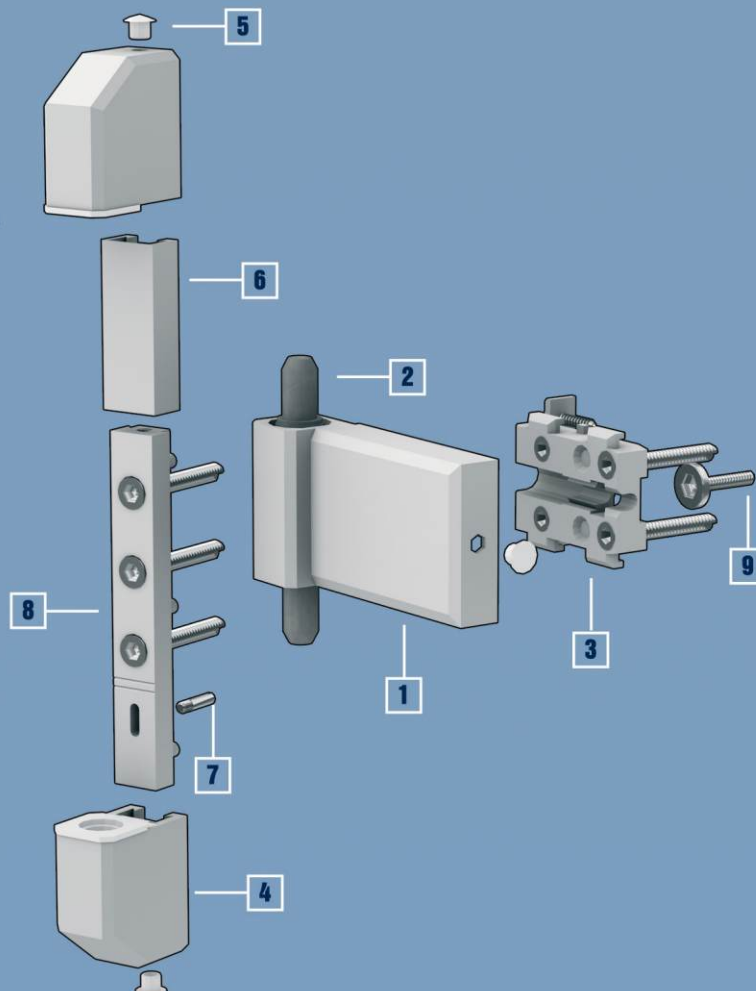
detailed assembly instructions available
on CDROM and DVD



EXCLUSIV

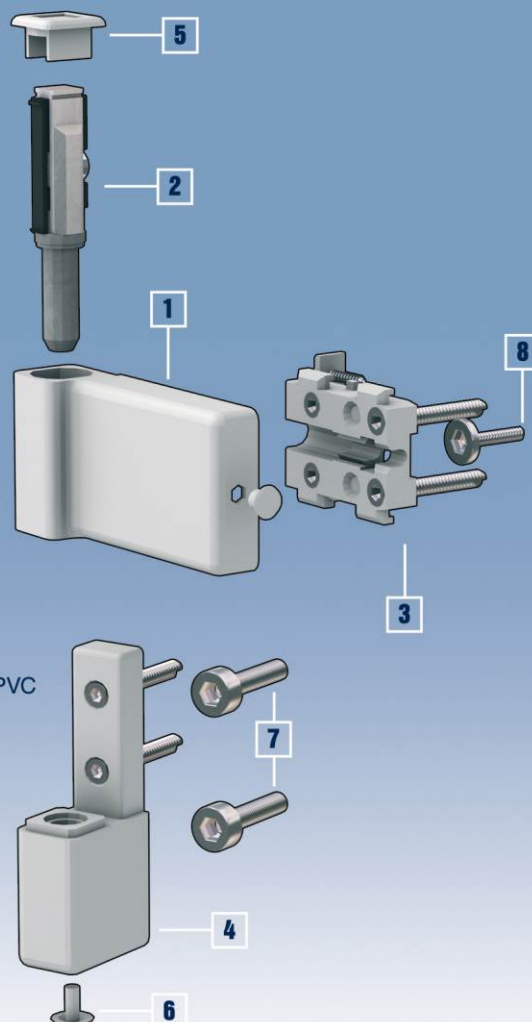
On account to the new type of height-adjustment the hinge is completely lifted and lowered without changing the space of neither the top part nor the base.

1. compact door hinge
without protective caps
2. corrosion resistant pin axle
with default pressure, a infinitely variable post-adjustment is possible without any difficulties for entrance doors mounted on hinges
3. solid load up-taking block
with boyonet joint, alternatively with or without fastening up stand range, including all screws
4. bearing brushes
made of maintenance-free and Teflon-containing synthetic material
5. adornment cap
6. spacer
conceals all fastening screws
7. safety pin (only necessary for outward opening doors)
8. on the spot up-taking part
including fastening screws
9. supporting screw sashes (optionally)



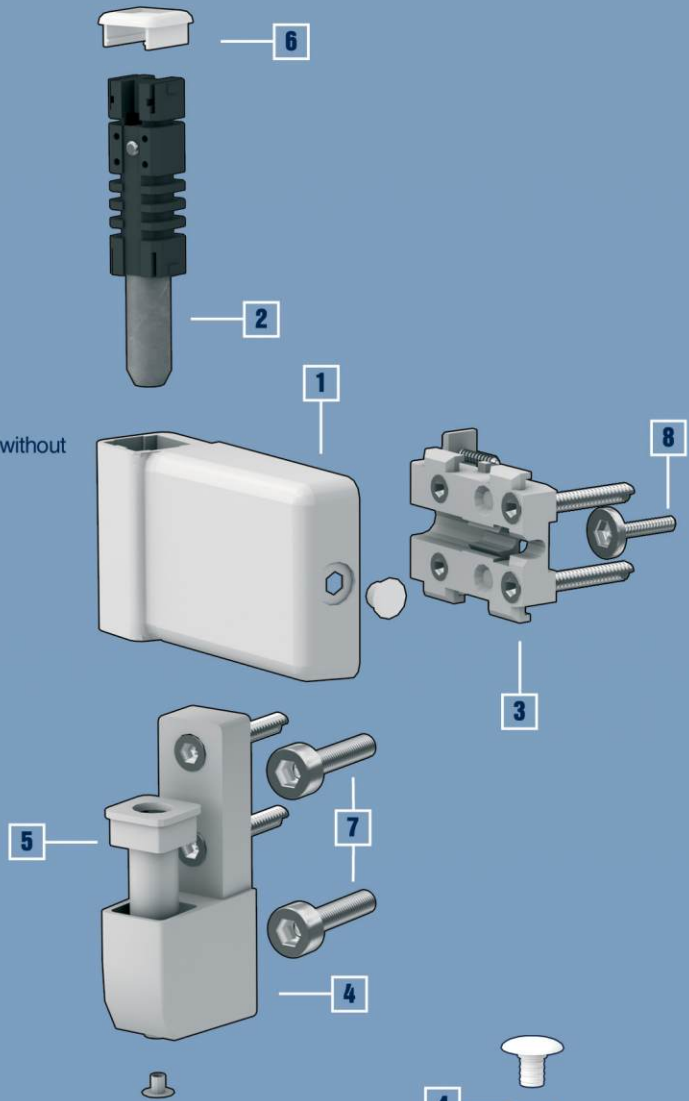
BRILLANT

1. compact door hinge
without protective caps
2. corrosion resistant pin axle
with default pressure, infinitely post-adjustment is possible without any difficulties for entrance doors mounted on hinges
3. solid load up-taking block
with boyonet joint, alternatively with or without fastening up stand range, including all screws
4. frame part
with bearing brushes made of maintenance-free and Teflon-containing PVC
5. upper adornment cap
non-detachably obliged to the sash for the engaging notch
6. lower adornment cap
7. supporting screw frames
8. supporting screw sashes (optionally)



GARANT

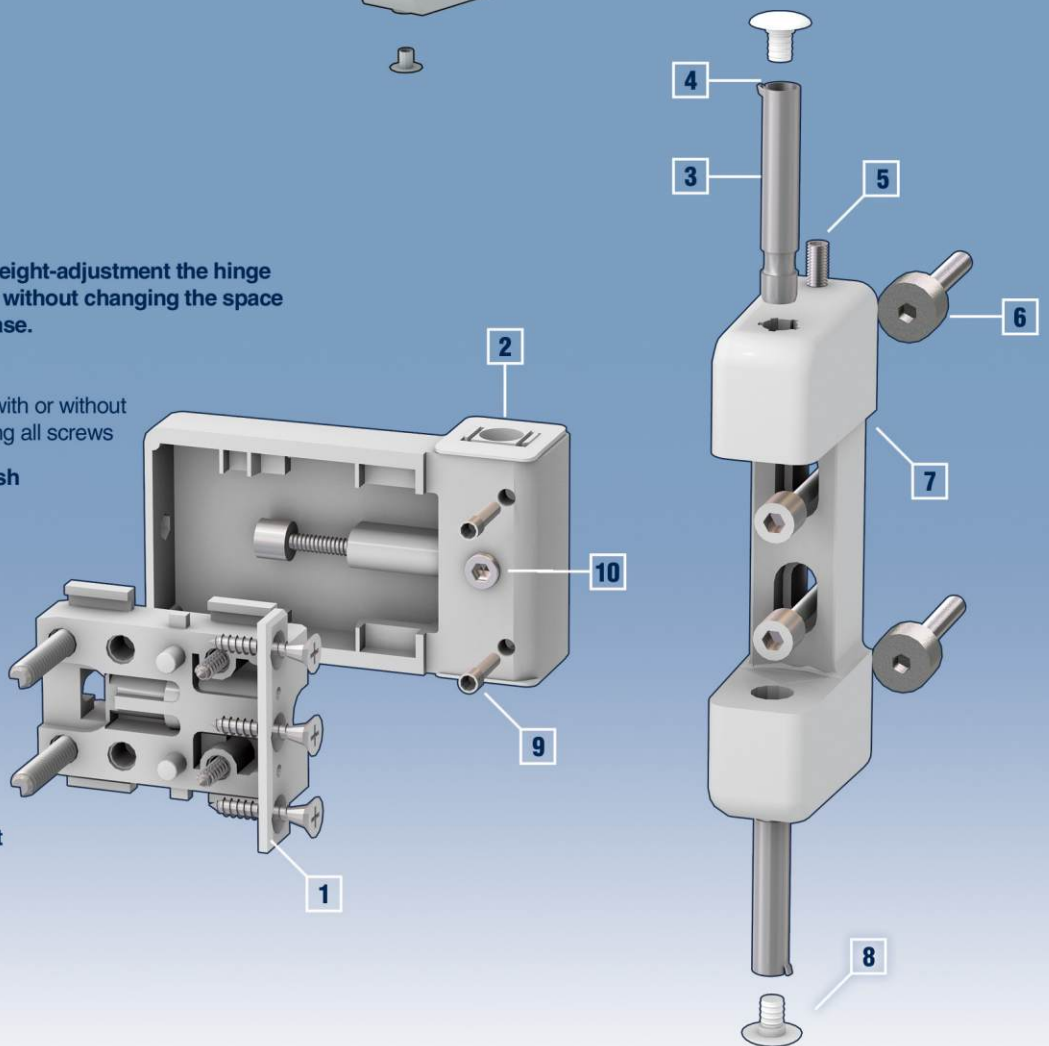
- 1. compact door hinge
without protective caps
- 2. corrosion resistant pin axle
with default pressure, infinitely post-adjustment is possible without any difficulties for entrance doors mounted on hinges
- 3. solid load up-taking block
with bayonet joint, alternatively with or without fastening up stand range, including all screws
- 4. frame part
- 5. bearing brushes
made of maintenance-free and Teflon-containing PVC
- 6. adornment cap
- 7. supporting screw frames
- 8. supporting screw sashes (optionally)



IDEAL

On account to the new type of height-adjustment the hinge is completely lifted and lowered without changing the space of neither the top part nor the base.

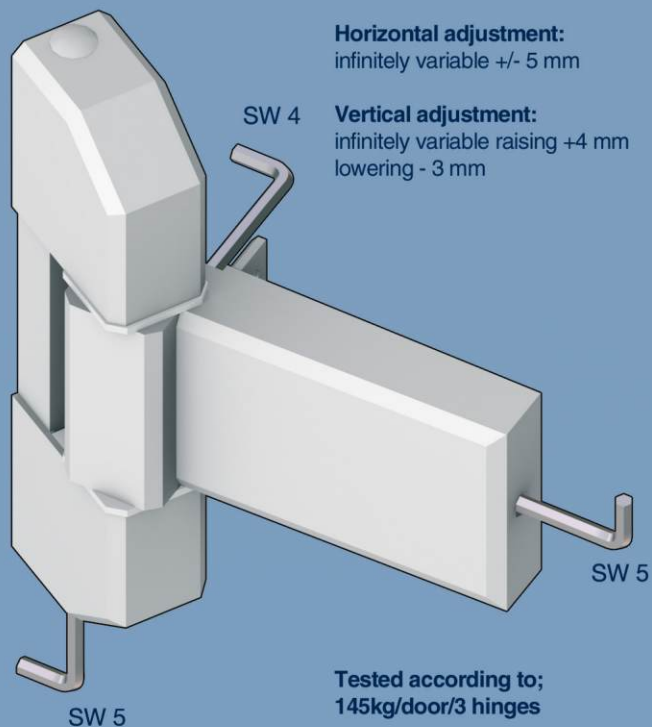
- 1. solid load up-taking block
with bayonet joint, alternatively with or without fastening up stand range, including all screws
- 2. bearing plate with bearing bush
- 3. bearing pin
- 4. screw thread
- 5. adornment cap
- 6. supporting screws subframe
- 7. bearing block
- 8. cover cap
- 9. security screws
- 10. contact pressure adjustment



EXCLUSIV

Shift the sealing pressure infinitely variable

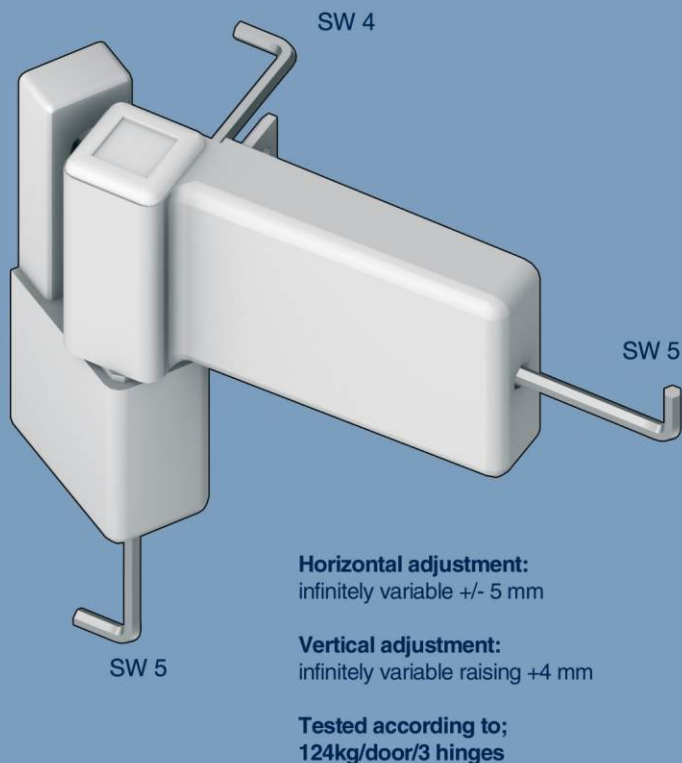
Change the sealing pressure with the up stand dimension plus 2,5 mm reserve on both sides.



BRILLANT & GARANT

Shift the sealing pressure infinitely variable

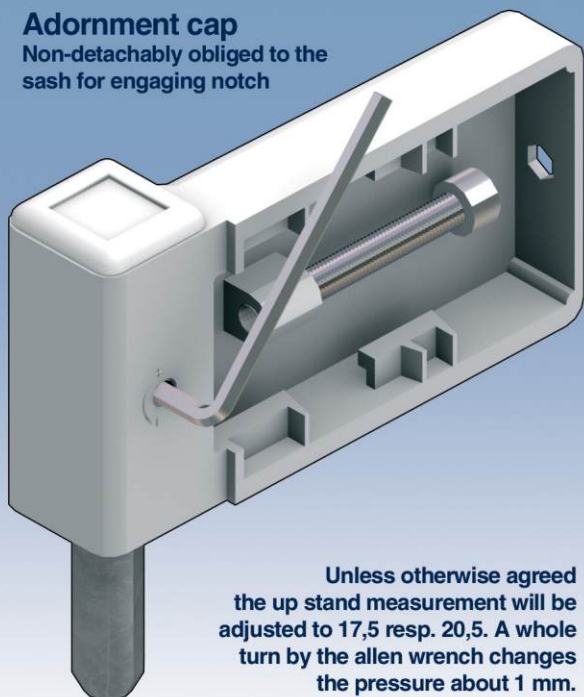
Change the sealing pressure with the up stand dimension plus 2,5 mm reserve on both sides.



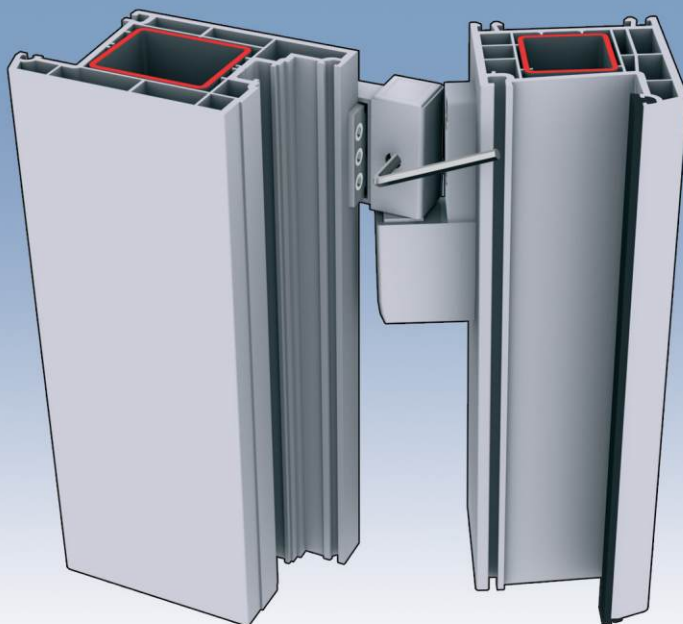
Infinitely variable pressure adjustment

Adornment cap

Non-detachably obliged to the sash for engaging notch



Infinitely variable adjustment is possible for entrance doors mounted on hinges.

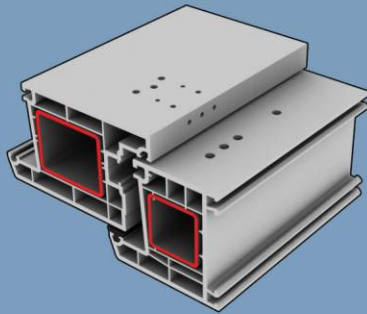


Mounting instructions

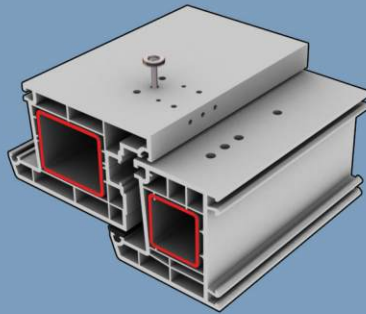
KOMPAKT 3D

Infinitely variable in height-, side- and pressure adjustments for entrance doors mounted on hinges without loosening the fastening screws.

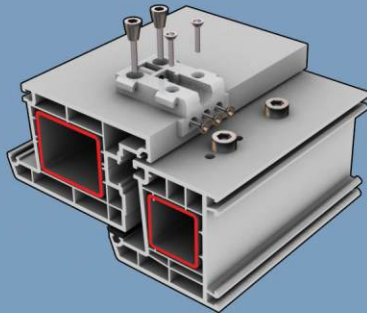
The sealing pressure adjusted to your profile system which can be easily corrected by anyone at the installed door if necessary.



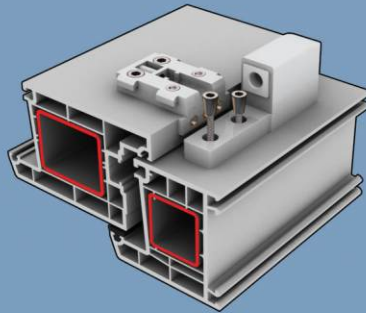
1. put up the drill holes



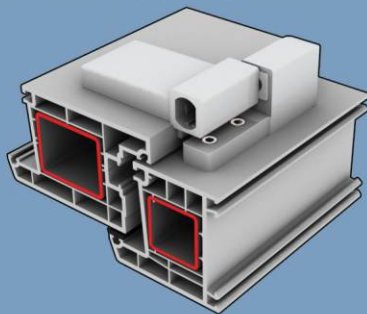
2. (optionally) assemble supporting screw to the sash



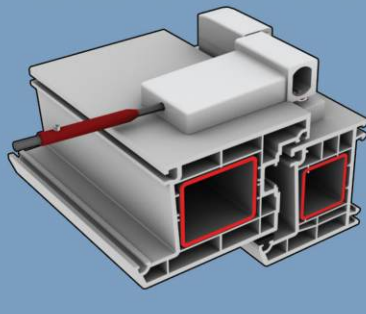
3. fix the load up-taking block and screw the supporting bolt into it



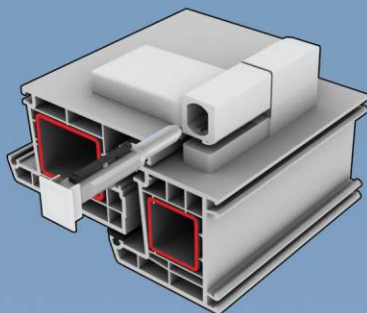
4. fasten the blind frame part



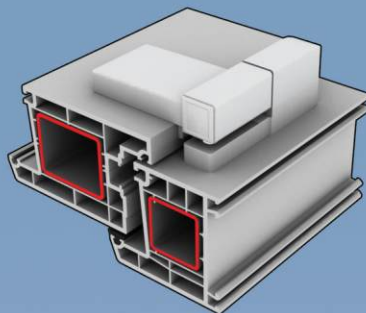
5. put on the sash hinge



6. adjust the sash part with the allen wrench



7. drive in the axle pin



8. snap in the adornment cap

Are there any more questions?

Please don't hesitate to call us!
We will advise you gladly.

elram GM
BH

Window and Door Engineering

Rudolf-Diesel-Straße 5
D-74354 Besigheim

Tel: +49 (0) 7143 969090

Fax: +49 (0) 7143 9690920

eMail: info@elram.de

<http://www.elram.de>

